

Appearance



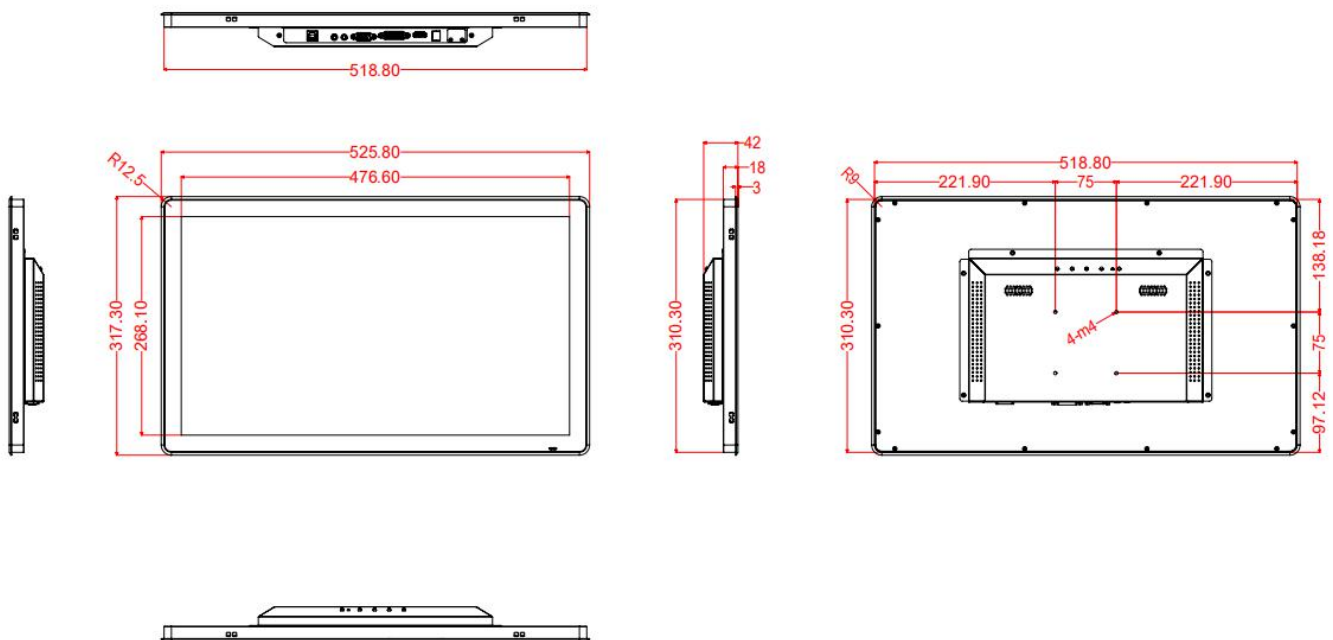
Specifaciton

Name	21.5 inch LCD Monitor
Model	YT215
Backlight	LED Backlight
Display Type	16:9
Brightness	250cd/m2 (Customized High Brightness)
Native Resolution	1920 x 1080
Contrast Ratio Typically	1000:1
Viewing Angle(L/R/U/D)	80° /80° /80° /80°
Input Video Format	Analog RGB, CVBS NTSC/PAL (AUTO)
Colors	16.7 million
Backlight Lamp life Hrs	50,000
Synchronization Range	30-80 KHz horizontal, 55-75 Hz Vertical
Touch type	10 Points Projective Capacitive touch/ Resistive Touch/ Non Touch

Bestview[®] Capacitive touch monitor

Power Supply	DC12V
Power Consumption	<40 W TYP
Operating Temperature	Operating: 0°C-60°C, Storage:-20°C-70°C
Humidity Non Condensing	Operating:10%-90%, Storage 5%-90%
Color	Grey+silver, black color optional
Material	Metal Case + Toughened Glass Panel
Warranty	3 years warranty(1 year for free)
Certificate	CE/FCC/RoHS/HDMI/IP66/IP65/BIS
Packing Details	
Packing	63 X15X43cm
Weight	7.5KG
Accessories	Power adapter, VGA HDMI DVI USB cable

Drawing:



Contact information

Shenzhen Bestview Electronic Co., Limited

Sales: Linky Fu

Email:sales011@bestview.cc

Skype: bestviewcs

WhatsApp:+86 17875598635

Website:<http://www.bestview.cc>

Factory Address: No.3F and 5F, Building 24, Longbi Industry Zone, BanTian Town, Long Gang District, Shenzhen, China